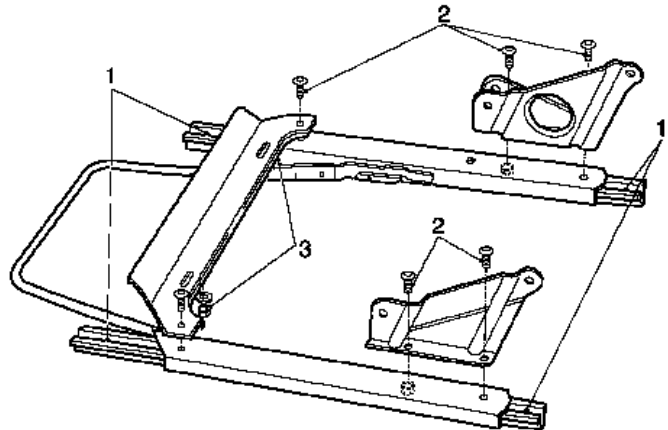


Seat Rail (Drivers Side), Replace



Remove

1. Remove hard top or soft top
2. Release drivers seat from chassis floor
 - Remove 4x bolt (1)
3. Remove 2x seat rail from seat
 - Remove 6x bolt (2)
 - Release 2x nut (3)



S 0006223



Install

4. Install 2x seat rail to seat
 - Install 6x bolt
 - Note:** Do not secure 6x bolt and 2x nut.
 - Operate seat handle and move seat rails forward and rearward to settle seat runners into a parallel position, check for smooth free movement
 - Release handle on each notch to ensure lockout on both rails together
 - Secure 2x nut (3) **15 Nm**
 - Secure 6x bolt (2) **15 Nm**
5. Install seat to floor
 - Install 4x bolt
 - Note:** Do not secure 4x bolt.
 - Operate seat handle and move seat forward and rearward, check for smooth free movement
 - Release handle on each notch to ensure lockout on both sides together
6. Position seat forward
 - Secure 2x bolt **25 Nm**
 - Operate seat handle and move seat forward and rearward, check for smooth free movement
 - Release handle on each notch to ensure lockout on both sides together
7. Position seat rearward
 - Secure 2x bolt **25 Nm**
 - Operate seat handle and move seat forward and rearward, check for smooth free movement
 - Release handle on each notch to ensure lockout on both sides together

8. Install hard top or soft top